

Small Carousel Turntable Range

Introducing movement from Movetech UK to the showroom will bring the excitement of an exhibition to the sales floor, helping to attract customers and increasing sales. Our smaller carousel turntables will allow you to create stunning displays with lots of impact. Perfect for retail and exhibitions.



Our small carousel turntables include the STU1000/2000 display turntable range, the B30 lightweight turntable range and the B200 turntable range - with each range having specific options available, including various speeds, capacities and slip ring options.

The B30 range are lightweight, versatile and reliable mains powered turntables, ideal for creating compact window or counter displays. Also perfect for photography projects.

The B200 range offers a heavier duty selection of display turntables suitable for more substantial displays.

Our STU1000/2000 display turntables are well suited to generating simple, unique, full circular platform displays, or they can be combined with other movements in our range and, for instance, imaginative lighting effects, to create something really special that stops customers in their tracks.

Buy online from our secure online shop:
www.movetechukshop.co.uk



Visit our website for more information:
www.movetechuk.com

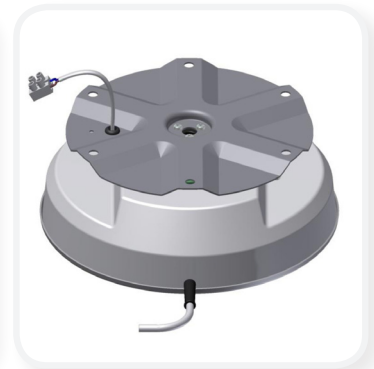
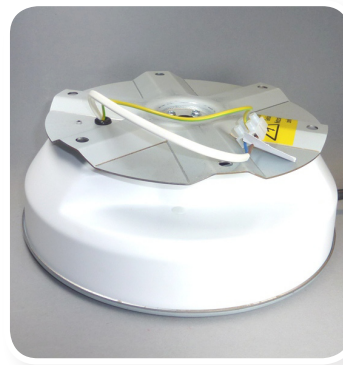
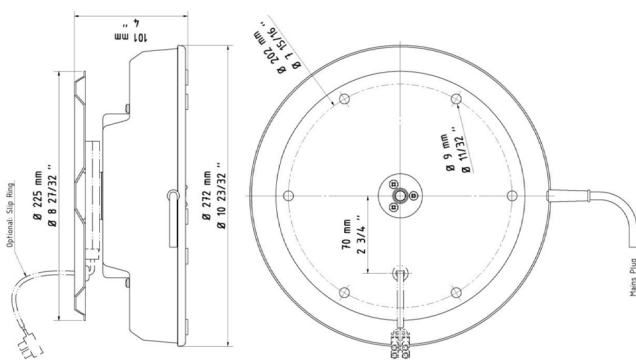


Small Carousel Turntable Range

B30 Turntable Range

The B30 range is designed as a lightweight mains operated turntable, suitable for small displays. The B30 turntable is equipped with a belt drive and offers a robust safety clutch, also providing a high torque. The virtually silent movement is perfect for applications in quiet environments such as shop window and counter displays, as well as exhibitions.

We recommend that it should not be used for displays over 450 mm diameter or 450 mm high. It has a maximum evenly distributed load capacity of 30kg. The D-005-B30s turntable is provided with 4 amp capacity slip rings to give a rotating electrical power source on the turntable surface.



Specifications

Product Code	Product Description	Speed (RPM)	Slip Rings	Unit Dimensions			Max Display Properties		
				Turn Plate / Base Diameter (mm)	Height (mm)	Weight (kg)	Diameter (mm)	Height (mm)	Capacity* (kg)
D-005-B30s	B30 Display Turntable with Slip Rings	2	Yes	225 / 272	101	2.5	450	450	30
These units are designed and intended for internal use only.				*Maximum evenly distributed load					

Rotating direction: Clockwise (cw)

Supply: Mains powered - UK 3-pin plug with 2m lead

Features: Plastic non-scratch feet on base

Power: 220/240v AC 50Hz Ph1, 6 watts (exc. slip rings)

BUY ONLINE! This product range can be purchased from our online shop.

Need help? Telephone: 01204 525626

Small Carousel Turntable Range



B200 Turntable Range

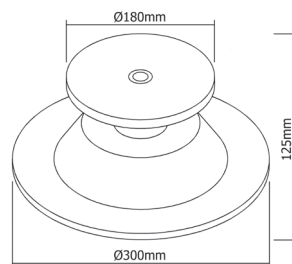
The B200 range offers heavier duty display turntables suitable for more substantial displays.

With a heavy duty plastic construction and a durable 180mm turn plate, these units are well suited for much heavier/larger displays, compared to the B30 range.

Specifications

Product Code	Product Description	Speed (RPM)	Slip Rings	Unit Dimensions			Max Display Properties		
				Diameter (mm)	Height (mm)	Weight (kg)	Diameter (mm)	Height (mm)	Capacity* (kg)
D-005-B200.1	B200 Display Turntable (1RPM)	1	No	300	125	3.60	750	800	90
D-005-B200.2	B200 Display Turntable (2RPM)	2	No	300	125	3.60	750	800	90
D-005-B200.OSC	B200 Display Turntable (2RPM) - Variable Position Oscillation	2	No	300	160	3.60	750	800	45
D-005-B200.PS	B200 Display Turntable (2RPM) - Variable Positional Stop	2	No	300	160	3.60	750	800	45
D-005-B200.VS	B200 Display Turntable (0.5-8RPM) - Variable Speed	0.5-8	No	300	160	3.60	750	800	45
D-005-B205s.1	B200 Display Turntable (1RPM) - With Slip Rings	1	Yes	300	125	3.60	750	800	90
D-005-B205s.2	B200 Display Turntable (2RPM) - With Slip Rings	2	Yes	300	125	3.60	750	800	90
D-005-B205s.OSC	B200 Display Turntable (2RPM) - Variable Position Oscillation with Slip Rings	2	Yes	300	160	3.60	750	800	45
D-005-B205s.PS	B200 Display Turntable (2RPM) - Variable Positional Stop with Slip Rings	2	Yes	300	160	3.60	750	800	45
D-005-B205s.VS	B200 Display Turntable (0.5-8RPM) - Variable Speed with Slip Rings	0.5-8	Yes	300	160	3.60	750	800	45
These units are designed and intended for internal use only.				*Maximum evenly distributed load					

- Rotating direction:** Clockwise or Anti-clockwise (user defined)
- Features:** Rubber non-scratch base
- Supply:** Mains powered - UK 3-pin plug (alternatives available)
- Power:** 220/240v AC 50Hz Ph1, 10 watts (exc. slip rings)



Small Carousel Turntable Range

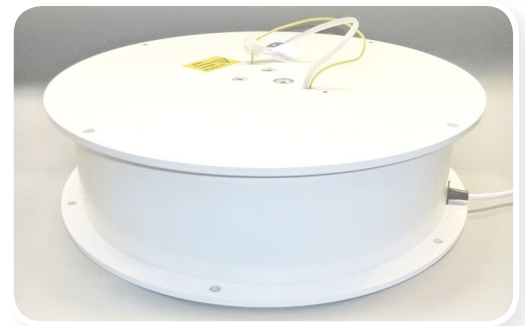
STU Turntable Range

Our STU turntables are well suited to generating simple, full circular platform displays.

They can also be combined with other movement in our range or, for instance, imaginative lighting effects, to create something really special that stops customers in their tracks.






The STU1000, STU2000 and STU2000s turntables are equipped with a robust asynchronous geared motor. The triple ball-bearing rotary axis ensures that higher bending forces can be absorbed.

Ideal for use in shop and window displays, exhibitions, and many other environments to support your advertising and attract attention.



Specifications

Product Code	Product Description	Speed (RPM)	Slip Rings	Unit Dimensions			Max Display Properties		
				Diameter (mm)	Height (mm)	Weight (kg)	Diameter (mm)	Height (mm)	Capacity* (kg)
D-005-STU1000	STU1000 Display Turntable (100kg Capacity)	2.5	No	400	110	17	1500	1500	100
D-005-STU2000	STU2000 Display Turntable (200kg Capacity)	2.5	No	400	110	17	1500	1500	200
D-005-STU2000s	STU2000 Display Turntable (200kg Capacity) - With Slip Rings	2.5	Yes	400	110	17	1500	1500	200
These units are designed and intended for internal use only.				*Maximum evenly distributed load					

-  **Rotating direction:** Clockwise (counter-clockwise on request)
-  **Speed of rotation:** 2.5rpm (other speeds on request)
-  **Housing:** Plastic, white, with 4mm steel base
-  **Supply:** Mains powered - UK 3-pin plug (alternatives available)
-  **Power:** 220/240v AC 50Hz Ph1, 30 watts (exc. slip rings)

Buy online from our secure online shop:
www.movetechukshop.co.uk

Need help or technical advice?
Our sales and technical teams will be happy to help.