

Data Sheet - Manual Turntables

Manual Turntables / Lazy Susans

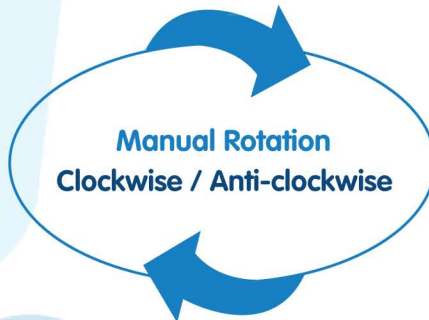
Our manual turntables are suitable for all aspects of static display which require any sort of manual rotation. Our wide range of long lasting manual turntables includes a variety of sizes, all carefully made to ensure smooth and effortless movement. Adding both an interactive and practical aspect to any display.

> Manual turntables are required to have an evenly distributed load.



Plastic Manual Bearing

Our plastic manual bearing, D-001-0150P, brings both smooth and silent rotation to any display. With a 150mm diameter and 10kg weight capacity it is perfect for small, light, interactive displays.

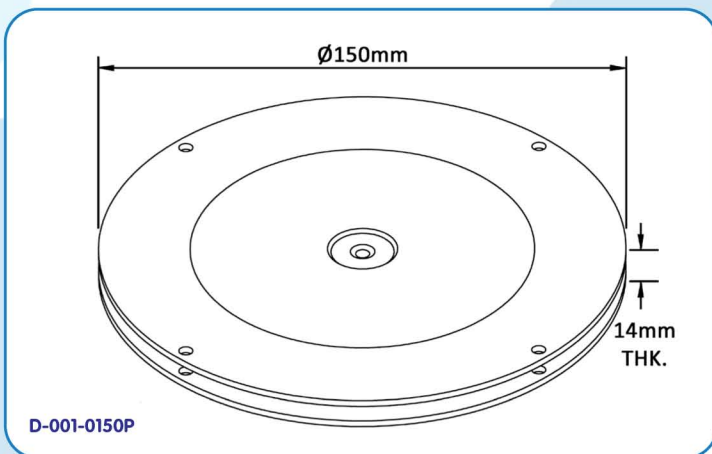


UNIT DIMENSIONS

- > Diameter: 150mm
- > Height: 14mm
- > Weight: 0.250kg

MAX DISPLAY PROPERTIES

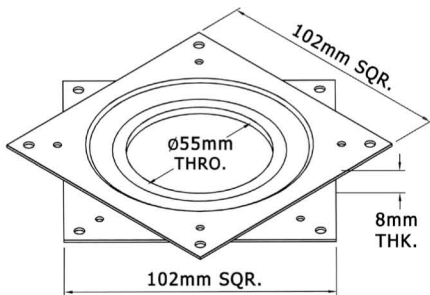
- > Diameter: 300mm
- > Height: 450mm
- > Capacity: 10kg



Pressed Metal Manual Bearings

Our Range of Pressed Metal Bearings or Lazy Susan's as they are sometimes known, offer a cost effective solution to introducing movement to manual displays such as Gondolas and Racks displaying such products as jewellery, perfumes, greeting cards etc. If the focus is on interior fit out then these bearings may be utilised to revolve cash registers 180 degrees or TV's or in the case of restaurants revolving the centre of the table to share a Tapas. Available in 3 sizes with display capacity ranging from 135 Kg's for the 100 mm Model up to 450 Kg's for the 300 mm version, with display potential from 300 mm upwards limitations to your potential display design are minimal.

D-001-0100 : Pressed Metal Manual Bearing , 4" Diameter



UNIT DIMENSIONS

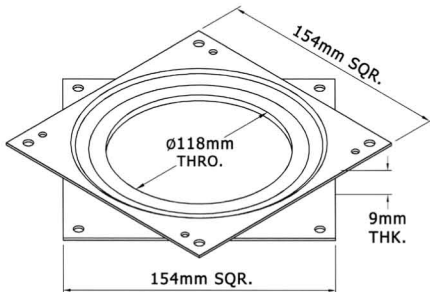
- > Diameter: 100x100mm
- > Height: 8mm
- > Weight: 0.112kg

MAX DISPLAY PROPERTIES

- > Diameter: 300mm
- > Height: 500mm
- > Capacity: 135kg



D-001-0150 : Pressed Metal Manual Bearing , 6" Diameter



UNIT DIMENSIONS

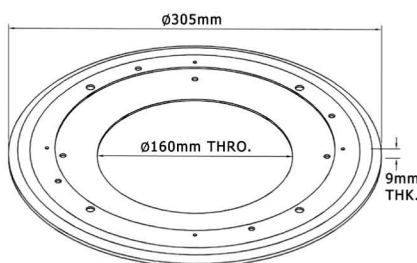
- > Diameter: 150mm
- > Height: 9mm
- > Weight: 0.250kg

MAX DISPLAY PROPERTIES

- > Diameter: 450mm
- > Height: 600mm
- > Capacity: 291kg



D-001-0300 : Pressed Metal Manual Bearing , 12" Diameter



UNIT DIMENSIONS

- > Diameter: 300mm
- > Height: 9mm
- > Weight: 0.825kg

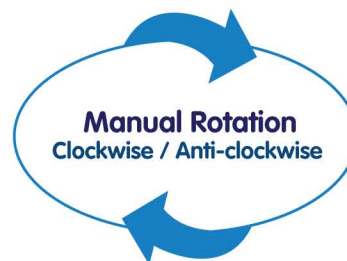
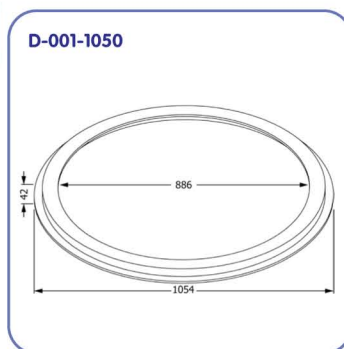
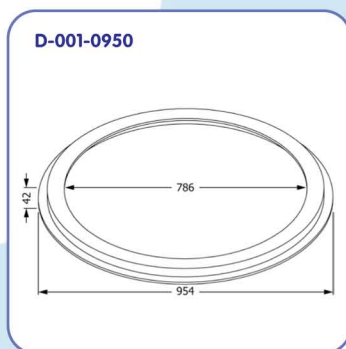
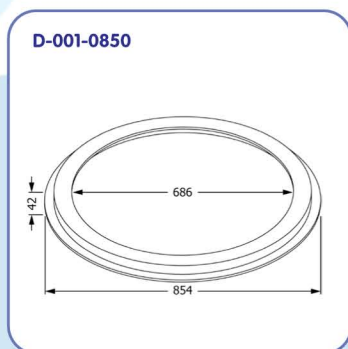
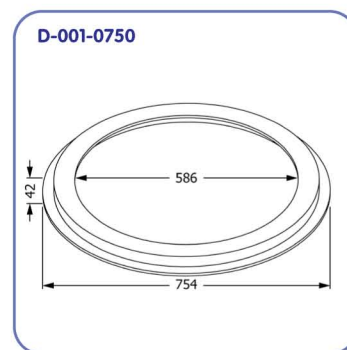
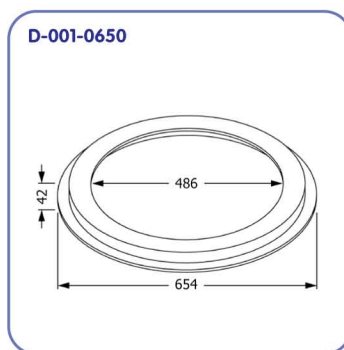
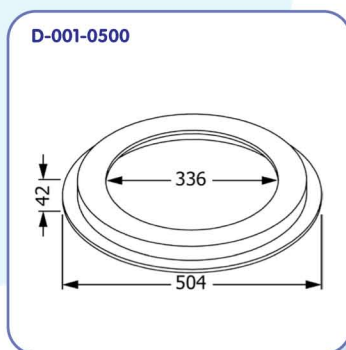
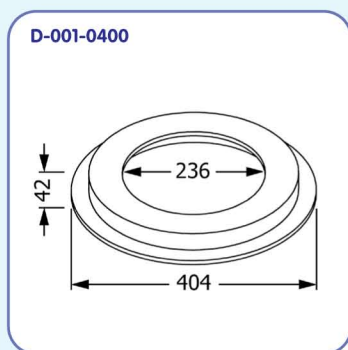
MAX DISPLAY PROPERTIES

- > Diameter: 1000mm
- > Height: 1500mm
- > Capacity: 500kg



Larger Manual Bearing Specifications

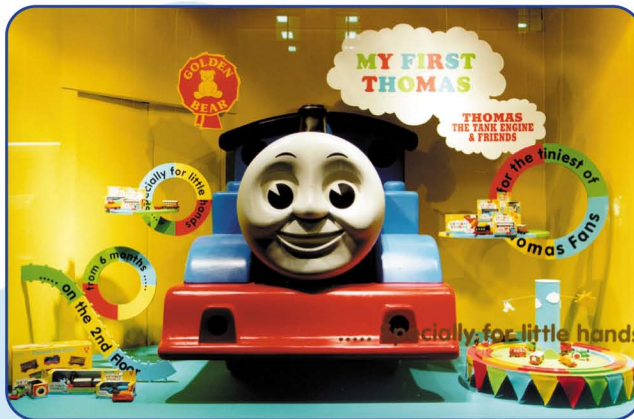
Product Code	Product Description	Speed (RPM)	Unit Dimensions			Max Display Properties		
			Diameter (mm)	Height (mm)	Weight (kg)	Diameter (mm)	Height (mm)	Capacity (kg)
D-001-0400	400mm Diameter Manual Bearing	N/A	400	42	11.000	800	2000	750
D-001-0500	500mm Diameter Manual Bearing	N/A	500	42	15.000	1000	2000	900
D-001-0650	650mm Diameter Manual Bearing	N/A	650	42	20.000	1300	2000	1500
D-001-0750	750mm Diameter Manual Bearing	N/A	750	42	23.000	1500	2000	1800
D-001-0850	850mm Diameter Manual Bearing	N/A	850	42	27.000	1700	2000	2500
D-001-0950	950mm Diameter Manual Bearing	N/A	950	42	30.000	1800	2000	3000
D-001-1050	1050mm Diameter Manual Bearing	N/A	1050	42	34.000	2000	2000	3500



> Maximum display properties assume evenly distributed load.

Can't find what you are looking for?

Movetech UK's range extends to smaller battery and solar powered movement as well as much larger units. The product portfolio includes off-the-shelf revolving stages up to 33m in diameter, and Movetech UK also offers a bespoke design and build service to cater for all customers needs.



In addition, an economical rental service is available. To discuss your requirements or for further information please contact Movetech UK - 01204 525626 - info@movetechuk.com - www.movetechuk.com